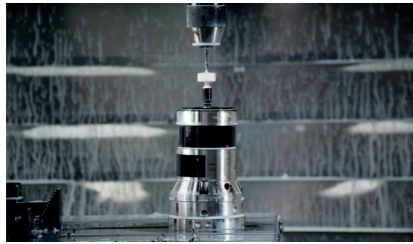


Composition of Probe System

RTS-20M radio tool setter system include two pieces of hardware and one software package, the two pieces of the hardware are:

- 1) RP610T tool setter;
- 2) RSI-20D receiver(the standard cable length 8m/the optional lengthened cable).



Technical Parameters

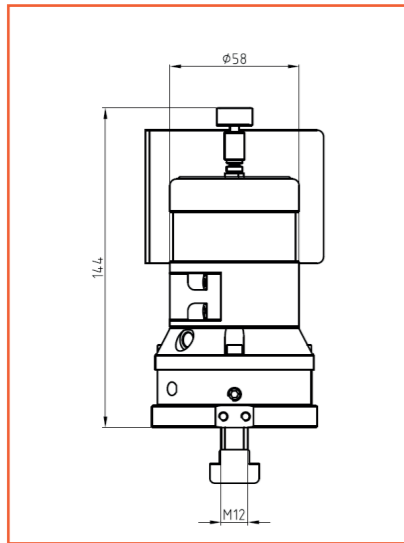
- 1) The technical parameters of RP610T radio tool setter :
  - ◆ Sensing direction of the pillar:  $\pm X, \pm Y, -Z$ ;
  - ◆ The pillars sensing over-travel :  $X-Y \pm 12^\circ, Z -5 \text{ mm}$ ;
  - ◆ The pillar's hardness : HM8.5 ;
  - ◆ The trigger repeatability of the pillar( $2\sigma$ ):  $\leq 1 \mu\text{m}$ ;
  - ◆ Radio signal receiving/sending distance :  $\leq 14 \text{ m}$ ;
  - ◆ Working days of new batteries ( 5% utilization rate in a single shift):280- 320 days;
  - ◆ Seal grade: IP68.
- 2) RSI-20D radio receiver technical parameters:
  - ◆ Radio signal receiving/sending distance:  $\leq 14 \text{ m}$ ;
  - ◆ Input voltage is  $24\text{V} \pm 10\%$  ( DC) and output load current is 50 mA.
  - ◆ Seal grade: IP68.

Technical Characteristics

- ◆ Tool setter switch on/off method: M code on/off;
- ◆ Radio code signals are used to transmit information between the tool setter and the receiver.
- ◆ The transmission frequency of the radio signal is within 2.4 G-2.483 G, the number of transmission channel is 16;
- ◆ The position of tool setter pillar can be roughly and precisely adjusted by the connecting link of the pillar and the adjusting link of tool setter for mounting.

Application

- ◆ Set lengths parameter of cutting tools automatically before CNC processing;
- ◆ Detect wear and breakage of cutting tools automatically between two processes or after the CNC processing;
- ◆ Through checking cutting tool parameters to control the change of machining precision from the temperature change of the machine;



Basic configuration of the probe system

- 1) RP610T tool setter
  - ◆ Standard tool setter pillar size: 16\*16\*8 (mm) ;
  - ◆ Battery specification: 14250, 3.6V, 1000mAh; 2 ps.;
- 2) RSI-20D receiver
  - ◆ The cable length usually is 8 meters;
  - ◆ Fixed bracket with universal adjustment function is equipped.



Notes:

- ◆ If the square pillar of tool setter is needed, customers should give special instructions when ordering the products.
- ◆ As for the cable length, verify if the 8-meter cable equipped with the RSI-20D receiver is enough for installing it in the machine tool. If it is not, the additional instruction is required when ordering the product;

