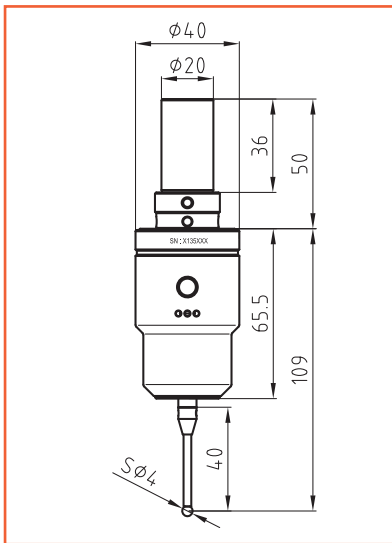
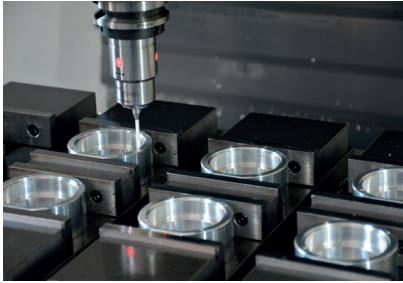


Composition of Probe

- 1) TP40 trigger probe;
- 2) Z20 straight shank;
- 3) Stylus(standard model: M4-P40-RB4-S30).



Technical Parameters

- ◆ Stylus sensing direction: $\pm X, \pm Y, +Z$;
- ◆ Stylus sensing over-travel : $X-Y \pm 12^\circ, Z +5 \text{ mm}$;
- ◆ The trigger force in Z direction: 400 g;
- ◆ Trigger force in X-Y surface (standard stylus) : 30-60g;
- ◆ Unidirectional repeatability (2σ) : $\leq 1 \mu\text{m}$;
- ◆ Working days of rechargeable battery (5% usage rate per shift): 185 days;
- ◆ Seal grade: IP 67.

Technical Characteristics

- ◆ Standard configuration: $\phi 20\text{mm}$ straight shank;
- ◆ Using LED and buzzer to indicate the triggering status of the probe;
- ◆ Adopting lithium battery charging technology without battery replacement.

Application

- ◆ Setting work-piece coordinate system and machining zero points automatically before processing;
- ◆ Detect and control the key dimensions, position coordinates and their precision automatically between two processes;
- ◆ Detect precision of the key dimensions, shapes, position after processing.

Basic configuration

- ◆ Stylus standard model: M4-P40-RB4-S30;
- ◆ Z20 straight shank;
- ◆ Power supply wire: Type-C;
- ◆ Signal extended cable.

Notes for purchase

- ◆ As for special stylus, check whether the standard stylus equipped with the TP40 probe can meet the requirements and whether it is necessary to order special stylus;
- ◆ About signal extended cable, it can provide SSR signals for the machine tool, but the seal grade will decrease.