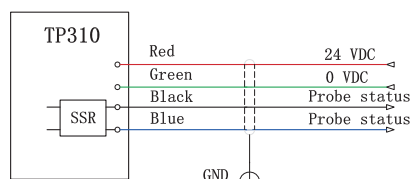
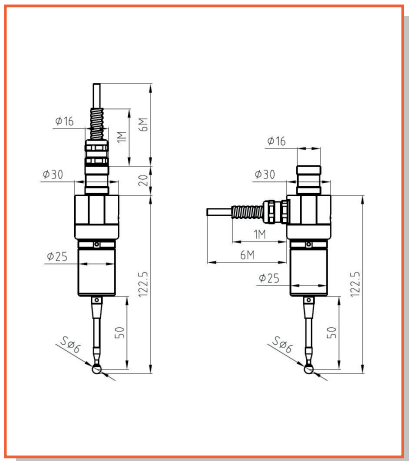
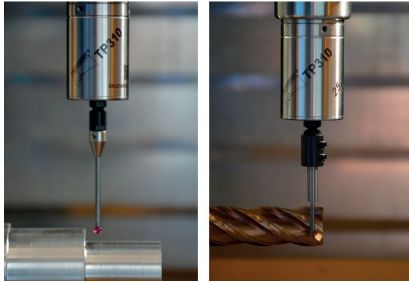


Composition of Probe

TP310 series of cable probe consist of three pieces:

- 1) TP310 trigger probe;
- 2) Probe shank containing the probe's interface and cable (axial outlet or radial outlet);
- 3) Stylus(standard model: M4-P50-RB6-S36A)



Application

- ◆ Setting work-piece coordinate system and machining zero points automatically before processing;
- ◆ Detect and control the key dimensions, position coordinates and their precision automatically between two processes;
- ◆ Detect precision of the key dimensions, shapes, position after processing.

Technical Parameters

- 1) The technical parameters of TP310 trigger probe :
 - ◆ Stylus sensing direction: $\pm X, \pm Y, +Z$;
 - ◆ Stylus sensing over-travel : $X-Y \pm 12^\circ, Z +5 \text{ mm}$;
 - ◆ The trigger force in Z direction: 1000 g;
 - ◆ Trigger force in X-Y surface (standard stylus) : 100-160g;
 - ◆ Unidirectional repeatability (2σ) : $\leq 1 \mu\text{m}$;
 - ◆ Seal grade: IP68.
- 2) The technical parameters of probe's interface:
 - ◆ Input voltage is $24\text{V} \pm 10\%$ (DC) and output load current is 50 mA.
 - ◆ Seal grade: IP68.

Technical Characteristics

- ◆ The signal interface of probe is integrated inside the probe shank, and the trigger signal is transmitted by cable;
- ◆ By changing the power supply's polarity at the probe interface, the logic state of the output signal can be reversed;
- ◆ The stylus connector of the probe is protected by double layers of rubber seal.
- ◆ Adopting stainless steel sheath for protection, suitable for harsh working environments.

Applicable equipment

- ◆ Various specifications of CNC grinding machines, CNC lathes and special measuring devices;
- ◆ Probe with ruby ball stylus and protector rod, commonly used in milling machines and cylindrical grinding machines;
- ◆ Probe with a profiled stylus, often used in tool grinding machines.